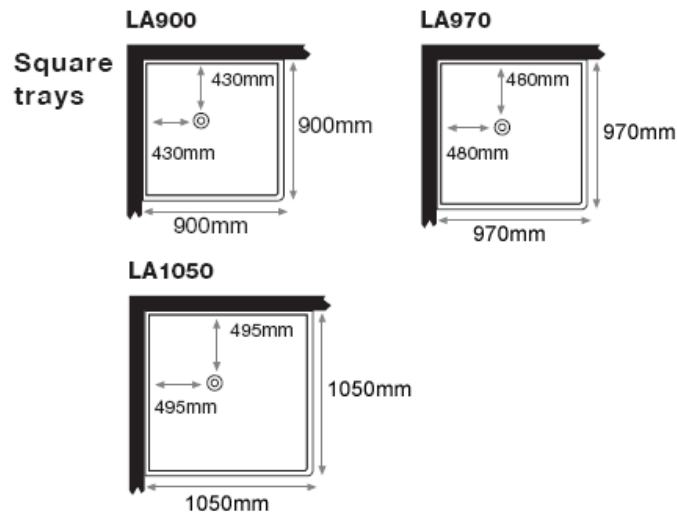


## LEVEL ACCESS SHOWER TRAYS

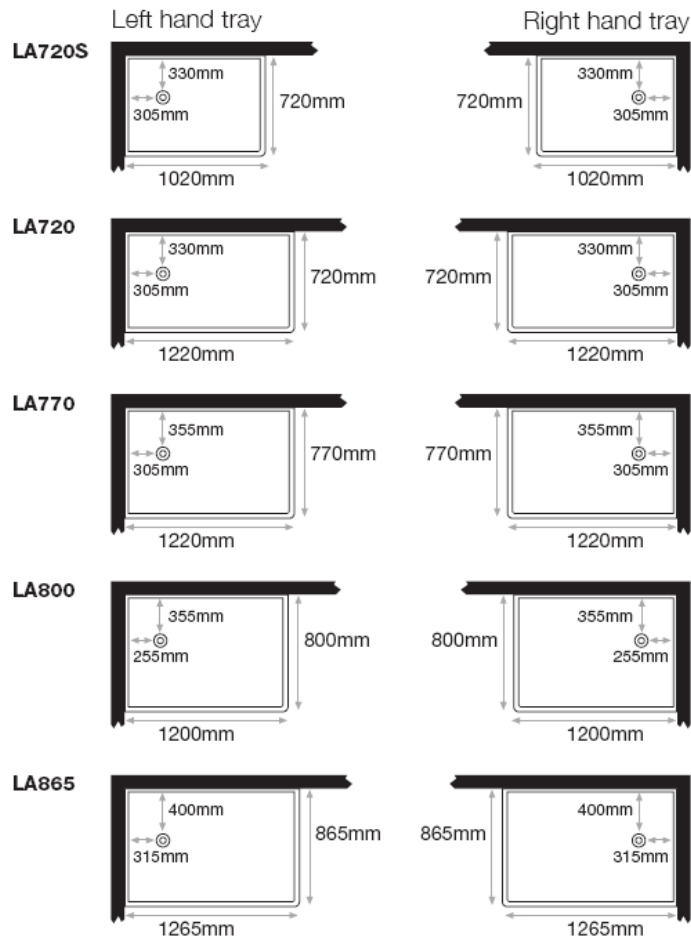
All of CDS Level access Shower Trays are manufactured using sustainable practices. They are all manufactured in the UK and Ireland which limits our carbon emissions. The Trays come with a trap, fitting instructions, a lifetime warranty and complete peace of mind that they have been tested to a very high degree following British safety standards.



## LA 1

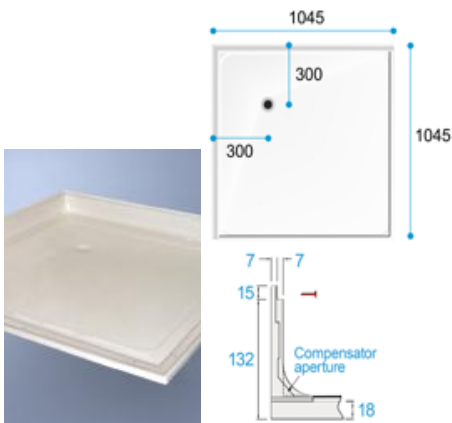


All LA1 Level Access Trays are none handed with a centre hole and comes complete with a trap.



The LA2 Level access trays are handed with a tile upstand and centre hole. It comes complete with a trap and fitting instructions.

**LA3 1045x1045mm**

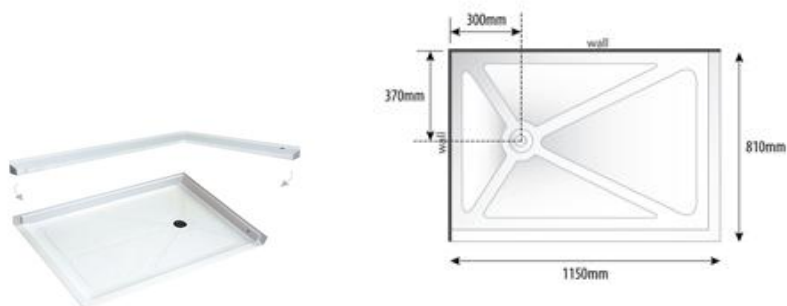


**Barrier free, level access using TRUESEAL**

The **Swift** range of level access shower trays gives you the perfect choice when a practical, **corner entry** showering alternative is required.

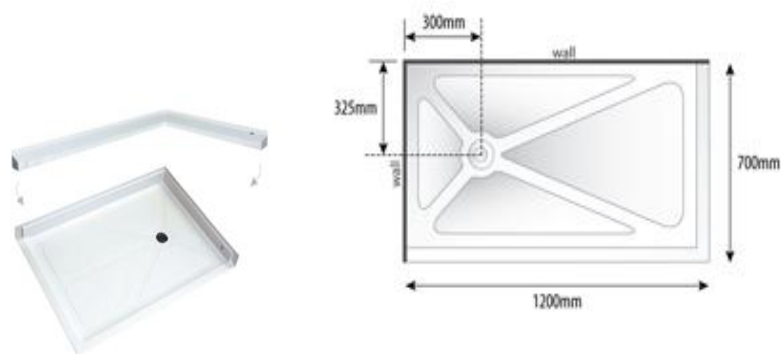
Using **TRUESEAL**, our unique floor edge profile, a **Swift** tray makes it possible to hot seam weld vinyl sheet flooring directly onto the trays unique **TRUESEAL** profile, creating a perfectly secure **watertight** joint, and vastly reducing the chances of future problems. Once fitted, a **Swift** provides barrier free, level access for those with **mobility difficulties**.

## LA 4 1150x810mm



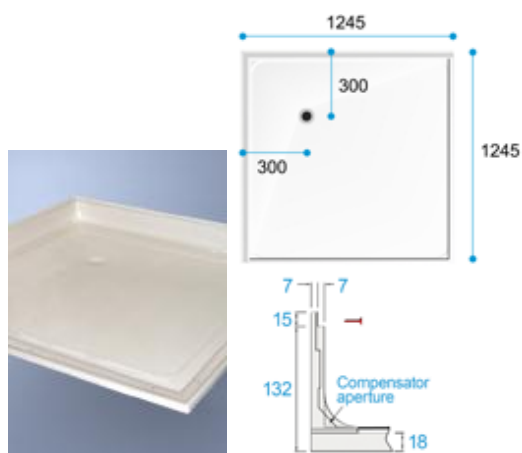
The LA4. (Cambridge) offers an ideal solution for people who have difficulty coping with stepped or ramped shower trays. When installed they become an integral part of the bathroom floor. They can replace an existing bath or where space is at a premium, fit into a more confined area.

## LA 5 1200x700mm



The LA5. (Rainford) offers an ideal solution for people who have difficulty coping with stepped or ramped shower trays. When installed they become an integral part of the bathroom floor. They can replace an existing bath or where space is at a premium, fit into a more confined area

## LA 6 1245x1245mm

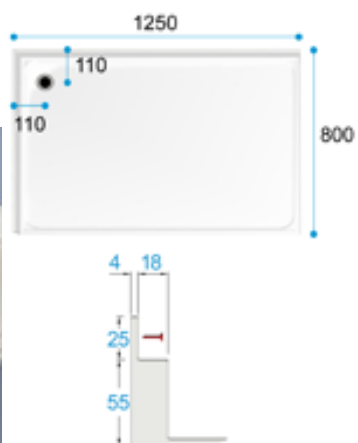


### Barrier free, level access using TRUESEAL

The LA6.Swift range of level access shower trays gives you the perfect choice when a practical, corner entry showering alternative is required.

Using TRUESEAL, our unique floor edge profile, a Swift tray makes it possible to hot seam weld vinyl sheet floor

## LA 7 1250x800mm

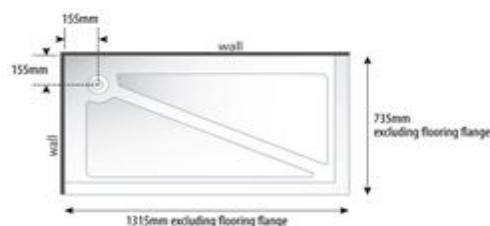


### Level access for wheelchair or the ambulant user

The Osprey is a 1250mm x 800mm tray providing complete floor level access with no ramps or steps to negotiate, ideal for the ambulant or wheelchair users.

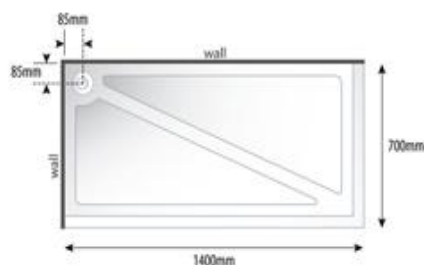
Can be installed within concrete or wooden floors. Contains **Microban** built in antibacterial protection, and available with a variety of enclosure options to suit almost any requirement. Requires floor excavation of 40mm.

## LA 8 1315x735mm



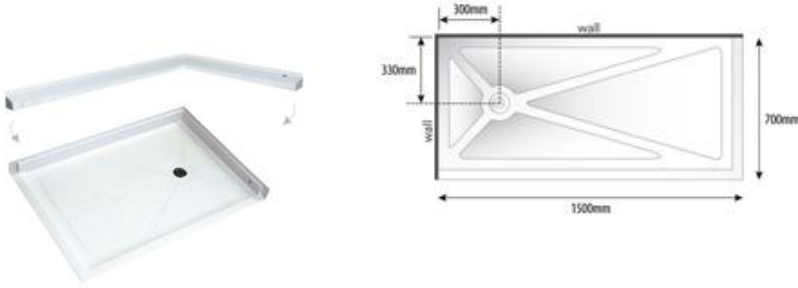
The LA8. (Rosedale) offers an ideal solution for people who have difficulty coping with stepped or ramped shower trays. When installed they become an integral part of the bathroom floor. They can replace an existing bath or where space is at a premium, fit into a more confined area

## LA 9 1400x700mm



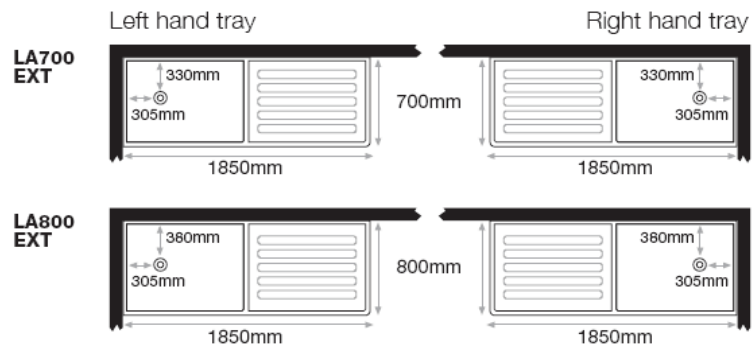
The LA9. (Matlock) offers an ideal solution for people who have difficulty coping with stepped or ramped shower trays. When installed they become an integral part of the bathroom floor. They can replace an existing bath or where space is at a premium, fit into a more confined area

## LA 10 1500x700mm



The LA10. (Sandhurst) offers an ideal solution for people who have difficulty coping with stepped or ramped shower trays. When installed they become an integral part of the bathroom floor. They can replace an existing bath or where space is at a premium, fit into a more confined area.

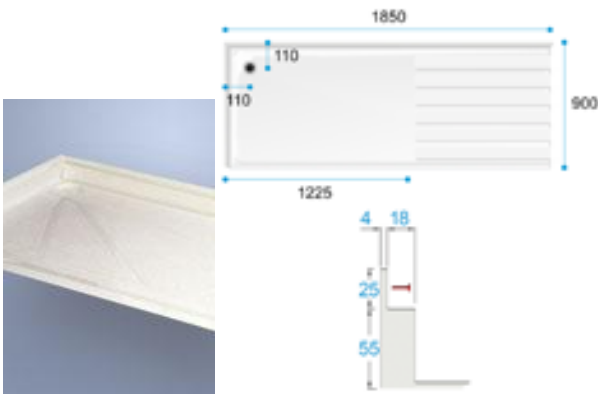
## LA 11



Drying area 765mm long.  
Tray can be trimmed to length to fit between walls.

The LA11 Plus bath replacement system provides complete or very low level access on the existing floor accommodating wheeled shower-chair access. With a drying area of 765mm this tray can also be cut to length.

## LA 12 1850x900



The LA12. (Kite) is an 1850mm x 900mm level access tray designed as an ideal replacement to a bath tub and to provide unrestricted level access and easy wheelchair entry.

It can be cut to length on site to fit exactly into the space once occupied by a bath tub. They can be installed within concrete or wooden floors. Level access, bath replacement shower trays require no ramps or steps, ideal for the ambulant or wheelchair users.