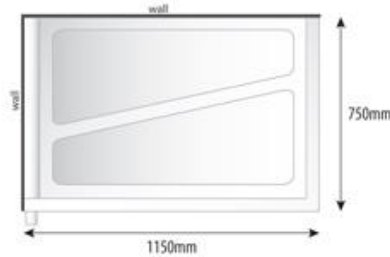


STEP-IN TRAYS

All of CDS Step-In Shower Trays are manufactured using sustainable practices. They are all manufactured in the UK and Ireland which limits our carbon emissions. The Trays come with a trap, fitting instructions, warranty and complete peace of mind that they have been tested to a very high degree following British safety standards.

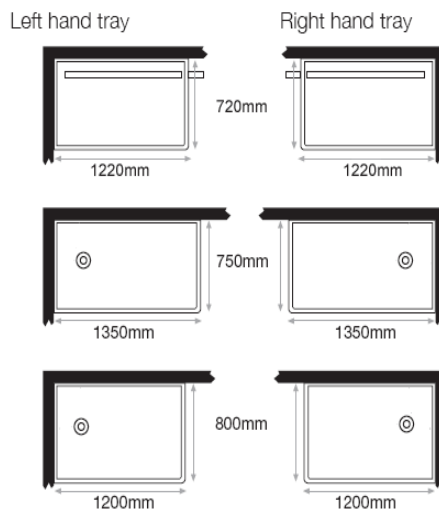
S11.1150X750



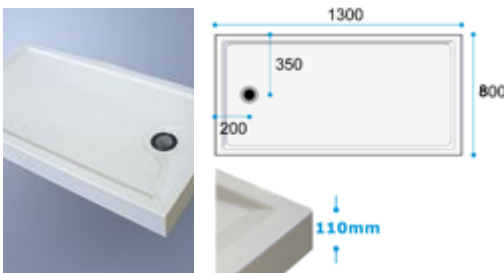
S11 (Kendal) Low step-in shower trays offer a clever combination of practicality and style, bringing easy shower access to almost any size of bathroom and catering for a wide variety of individual needs. These models combine thoughtful design and outstanding quality, ensuring practicality as well as ease of installation. L/H - R/H Trays Available. L/H Trays Illustrated

S12.RECTANGLE

Step-In comes with left hand, right hand door or corner entry door options

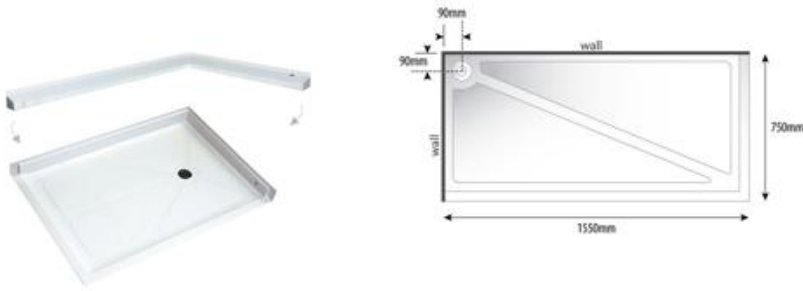


S13.1400X700MM



S13. At 110mm high, a Prinia shower tray requires no floor excavation as the waste water is removed above ground level. The waste pipe work can be concealed beneath the shower tray, and also allows the option as to where the waste can exit the tray. Optional step available on request, allowing for assisted entry for the ambulant user.

SI4.1400X700MM



SI4. (Lincoln) Low step-in shower trays offer a clever combination of practicality and style, bringing easy shower access to almost any size of bathroom and catering for a wide variety of individual needs. These models combine thoughtful design and outstanding quality, ensuring practicality as well as ease of installation. L/H - R/H Trays Available. L/H Trays Illustrated

SI5.1750X750MM



Above ground, bath replacement with built in pipe duct, only 80mm high

The Kittiwake is an **above ground bath replacement tray** at only 80mm in height. It can be installed on any floor type, even an unreachable surface. The Kittiwake can be cut to length on site to fit perfectly the space once occupied by a bath and incorporates a drying area and an end plate to conceal the cut end of the shower tray.